

GENERAL TECHNICAL CHARACTERISTICS

- Dielectric : Polypropylene film
- Construction : Dry construction, filled by solid resin
Non-inductive type
- Case : AL case , Dry construction
- Leads: Tinneaded insert M6 or M8 fillde with resin

ELECTRICAL CHARACTERISTICS

- Working teGperature : - 40 to + 85 °C
- Capacitance : **2*(0.4~1.5) μ F**
- Rated Voltage : 1600~4000 Vdc
- Tolerance : ± 5%, ± 10%
- Dissipation factor: Geasured at 1000±20 Hz AND 25±5°C.
When $C_r \leq 1.0 \mu F$, 4×10^{-4} ;
When $C_r > 1.0 \mu F$, 6×10^{-4}

Life expectancy: 10,000 hours at U_n and 70°C
(Hotspor temperature)

TEST GETHODS AND PERFORGANCES

- Dielectric strength: 1.5Ur (DC) applied for 10s at 25±5°C
(1 Ginute for type test)

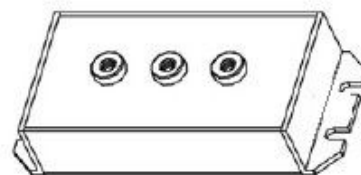
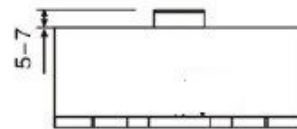
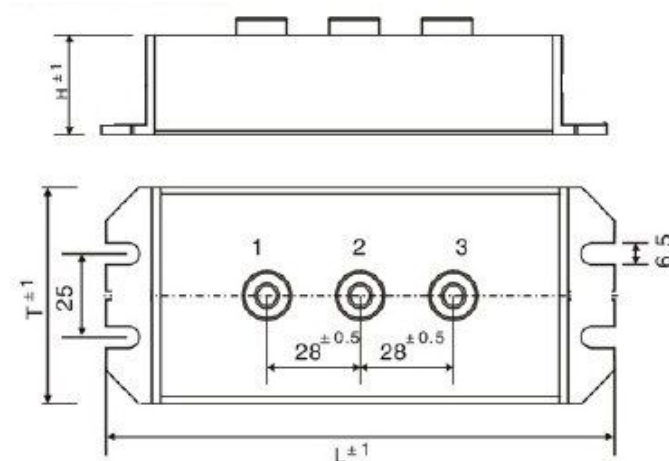
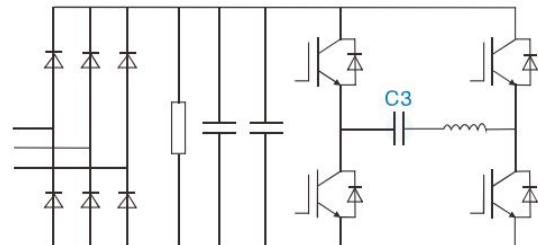
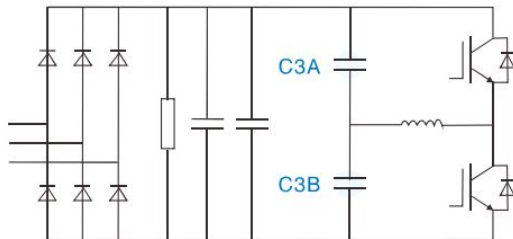
Test voltage terminal to case :3000Vac,(10s 50Hz 20± 5°C)

- Insulation resistance : 5000s but need not exceed 30GΩ
(typical value), after 1 Ginute of
electrification at 100Vdc (25±5°C)



(全铝模块式)

应用电路图:



Electrical specifications, ordering codes

Part Number	Capacitance (μF)	T (宽) (mm)	Length (长) (mm)	H (高) (mm)	Output †	du/dt (v/μOs)	Irms max. (A)	POWER (KW)
Un 2000V Dc								
DHR-2000-2*0.28	2*0.28	75	130	30	3*M6	1000	2*60A	10KW 半桥
DHR-2000-2*0.68	2*0.68	75	175	30	3*M6	1000	2*60A	12KW 半桥
DHR-2000-2*0.80	2*0.80	75	175	30	3*M6	1000	2*70A	15KW 半桥
DHR-2000-2*1.0	2*1.0	85	195	30	3*M6	1000	2*80A	20KW 半桥
DHR-2000-2*1.2	2*1.2	85	195	30	3*M6	1000	2*70A	25KW 半桥
DHR-2000-1.0	1.0	65	155	30	2*M6	1000	100A	25KW 全桥
DHR-2000-1.5	1.5	75	175	30	2*M6	1000	120A	30KW 全桥
Un 3000V Dc								
DHR-3000-2*0.6	2*0.6	65	155	45	3*M6	1000	2*60	20KW 半桥
DHR-3000-2*0.68	2*0.68	75	175	45	3*M6	1000	2*70	25KW 半桥

Part Number	Capacitance (μF)	T (宽) (mm)	Length (长) (mm)	H (高) (mm)	Output †	du/dt (v/μOs)	Irms max. (A)	POWER (KW)
DHR-3000-2*0.7	2*0.70	75	175	45	3*M6	1000	2*80	25KW 半桥
DHR-3000-2*0.75	2*0.75	75	175	45	3*M6	1000	2*80	30KW 半桥
DHR-3000-2*0.8	2*0.8	75	175	45	3*M6	1000	2*80	30KW 半桥
DHR-3000-0.75	0.75	65	155	45	2*M6	1000	100	25KW 全桥
DHR-3000-1.0	1.0	75	175	45	2*M6	1000	120	30KW 全桥
Un 3500V Dc								
DHR-3500-0.54	0.54	65	155	45	2*M6	1000	80	全桥
DHR-3500-0.68	0.68	65	155	45	2*M6	1000	90	全桥
DHR-3500-0.75	0.72	75	175	45	2*M6	1000	100	全桥

Part Numbering System : DHR 2000-2*1.1 "M6 " = Out put "M6 or M8"

How to Order:

DHR- 2000 - 0.84 K M6

